

CBO Model 750

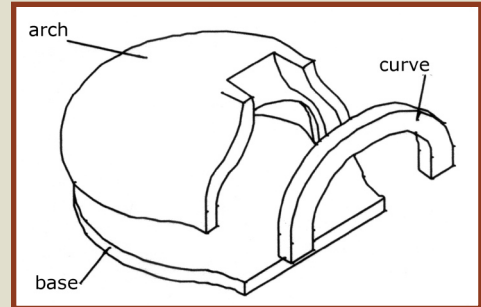
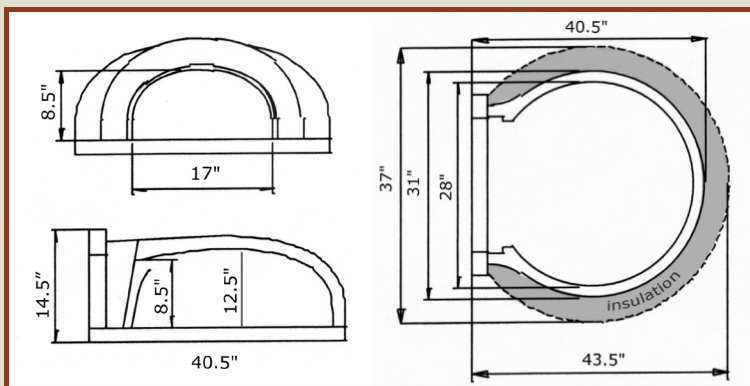


Chicago Brick Oven | Model 750

The Model 750 is our most popular Residential Oven with over 28" of cooking surface.

- Made in the USA
 - Shorter lead times for manufacturing
 - No import/duty fees
 - No risk of damage from importing
 - Helps the economy right here at home!
- Accessories included in purchase:
 - Attached Steel Decorative Door
 - Insulating Door for baking and closed oven cooking
 - Everything you need to start cooking
- Superior Engineering/Design
- Stainless steel fibers reinforce our refractory
- Patent pending design takes advantage of all methods of cooking; Radiant Heat, Convection, and Conduction
- Mobile model available
 - Several styles and finishes to choose

Contact us today and discover the great taste of wood fired cooking in America's premier wood fired oven.



Materials:

High strength cast refractory materials reinforced with stainless fibers

Parts:

(see diagram, above)

The base: 1 part

The oven arch: 1 part

The opening curve: 1 part

Characteristics:

Weight: 480 lbs.

Equipment included:

Steel insulation door
Decorative external door
Flue connector
Insulation kit



www.chicagobrickoven.com | 630.359.4793