

THE RENAISSANCE SERIES

MISSION

36" AND 42" B-VENT GAS FIREPLACES  
M36 and M42 Model Series

Impressive Blend  
of Beauty, Value  
And Performance



*Stylish new features for homeowners...better value for builders*

FIREPLACES  
FOR BUILDERS  
**Fmi**

# B-Vent Is Both Beautiful And Economical

Our Mission B-vent gas fireplaces let homeowners have it all: beauty, performance and convenience. You can install Mission units in a wide variety of locations. They're a key part of our exciting new Renaissance Series, which offers a consistent look, sizing and construction across the entire line... plus beautiful new features homeowners will love!

### Homeowner Highlights:

- **Superb looks**—Features an attractive, multi-dimensional refractory log arrangement and deep glowing ember bed.
- **Impressive ambience**—The Mission's aluminized dual yellow flame burner creates the cozy feel of a real wood fire.
- **Safe, convenient operation**—Features EZ-Access flame control and Posi-Lock outside air controls. Operates from either wall switch or remote control.

### Builder Benefits:

- **More standard features**—Comes standard with textured refractory brick floor... and it's pre-wired for wall switch or remote control.
- **Straight, secure installation**—We've added full-length nailing flanges, and drywall stops.
- **More installation options**—Gas controls can be accessed through either the lower face panel or inside refractory door so you can install a full-face surround. Converts easily from clean face to circulating in the field.



M36B features textured refractory brick-lined interior.



M42H (shown with optional stamped steel louvers) features herringbone textured refractory brick-lined interior.

### Mission B-Vent Fireplace Product Offering Summary

36" & 42" B-Vent Fireplace Models Available With The Following:

- Smooth Faced
  - Millivolt Or Electronic Ignition
  - Black, Standard Brick, And Herringbone Pattern Refractory Brick Interiors
- All 36" (40,000 Btu) And 42" (45,000 Btu) Models Use 6" Venting.



The Mission's premium gas logs and glowing ember bed offer the rich ambience of a real wood fire with dancing yellow flames.

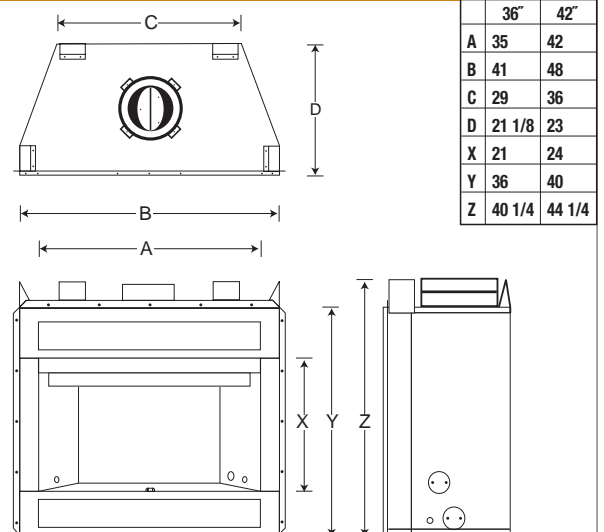


With innovations like hidden screen pockets, you see only the beauty of flame, logs and ember bed.

### Accessory Offering Summary

- Extruded Aluminum Bi-Fold Glass Doors (Black, Brushed Brass & Platinum)
- Stamped Steel and Rolled Black Louver Panels
- Louver trim (Brushed Brass & Platinum)
- Filigree Panels (Black, Brushed Brass & Platinum)
- Perimeter Trim Kits (Black, Brushed Brass & Platinum)
- Outside Air Kits
- Fan Kits
- Remote Control Kits
- Standard & Herringbone Refractory Brick Liners

### Dimensions



DESA International  
www.desaint.com  
For more information, call (800) 888-2050



HEARTH PRODUCTS ASSOCIATION

