

THE RENAISSANCE SERIES

Pueblo

32" B-VENT GAS FIREPLACES
P324 and P325 Model Series

Compact Blend of
Value And Beauty



Stylish new features for homeowners...better value for builders

FIREPLACES
FOR BUILDERS
Fmi

B-Vent Is Both Beautiful And Economical

Our Pueblo B-vent gas fireplaces let homeowners have it all: beauty, performance, convenience and economy. Ideal for today's smaller more efficient homes, you can install Pueblo units in a wide variety of locations. They're a key part of our exciting new Renaissance Series, which offers a consistent look, sizing and construction across the entire line ... plus beautiful new features homeowners will love!

Homeowner Highlights:

- **Superb looks**—Features attractive, multi-dimensional refractory log arrangements with deep glowing ember beds.
- **Impressive ambience**—The Pueblo's aluminized single and dual yellow flame burners create the cozy feel of a real fire.
- **Safe, convenient operation**—Features Posi-Lock outside air controls and operates from either wall switch or remote control.

Builder Benefits:

- **More standard features**—Comes standard with refractory brick floor ... and are pre-wired for wall switch or remote control.
- **Straight, secure installation**—We've added solid nailing flanges, and drywall stops.
- **More installation options**—Gas controls can be accessed through either the lower face panel or inside refractory door so you can install a full-face surround. Converts easily from clean face to circulating in the field.



P324 offers millivolt ignition; vents with 4" b-vent.



P325 features premium multi-dimensional gas logs and glowing ember bed; vents with 5" b-vent.

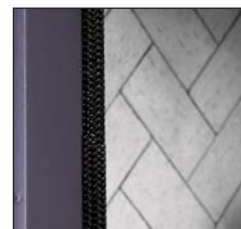
Pueblo B-Vent Fireplace Product Offering Summary

32" B-Vent Fireplace Models Available With The Following:

- Smooth Faced
- Millivolt Or Electronic Ignition
- Black, Finished Interior or Full Brick Liner Interior (P325 Series Only).



The Pueblo's premium gas logs and glowing ember bed offer the rich ambience of a real wood fire with dancing yellow flames.

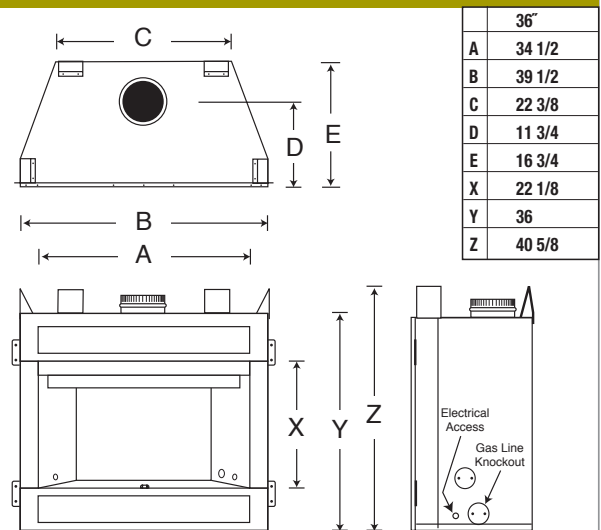


With innovations like hidden screen pockets, you see only the beauty of flame, logs and ember bed.

Accessory Offering Summary

- Refractory Brick Liners
- Extruded Aluminum Bi-Fold Glass Doors (Black, Brushed Brass & Platinum)
- Stamped Steel and Rolled Black Louver Panels
- Louver trim (Brushed Brass & Platinum)
- Decorative Filigree Panels (Black, Brushed Brass & Platinum)
- Perimeter Trim Kits (Black, Brushed Brass & Platinum)
- Outside Air Kits
- Fan Kits
- Remote Control Kits

Dimensions



DESA International
www.desaint.com
For more information, call (800) 888-2050

