

# MONESSEN

## PRODUCT SPECIFICATIONS SEE-THRU (624DVST) DESIGNER DIRECT VENT



### 624DVST

#### GLASS VIEWING AREA

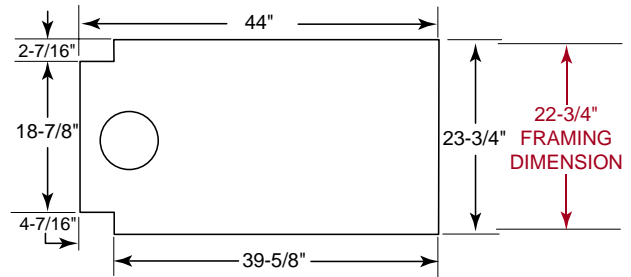
Front Opening Width - 32-1/4"  
Front Opening Height - 19-1/2"

#### TECHNICAL INFORMATION

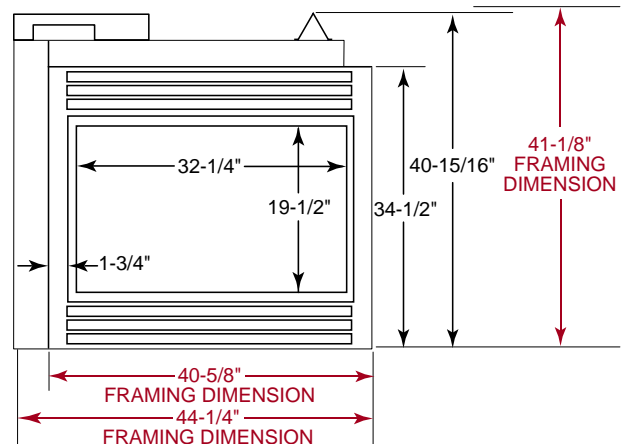
Max. Btu Input - 36,000 BTU/HR  
Ignition System - Standing Pilot or Electronic Control - Millivolt  
Gas Type - Natural or LP  
Flue Type - Simpson Dura-Vent 4" x 6-5/8" Direct Vent  
Termination - Rear/Top Vent Convertible  
Clearance on Flue for Interior - 3" Top 1" Bottom and Sides  
Clearance on Flue for Outside Wall - 1"  
Clearance on Fireplace - 1/2"  
CSA Design Certified

#### FIELD INSTALLED ACCESSORIES

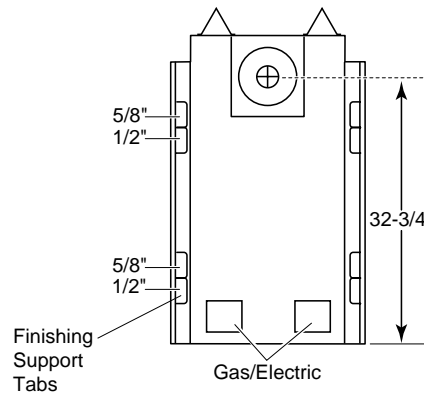
Variable Thermostat Controlled Forced Air Blower (160 cfm) - BLOT  
Louvers - Polished Brass, Pewter  
Black Medium Trim Kit  
Remote Controls & Thermostats  
Wood Cabinet Surrounds  
Designer Facings



TOP VIEW



FRONT VIEW



SIDE VIEW

Framing dimensions in illustrations accommodate 1/2" finishing material.

To avoid personal injury or property damage, the product described by this brochure must be installed, operated and maintained in strict compliance with the instructions packaged with the product and all applicable building or fire codes. Contact local building or fire officials about restrictions and installation inspection requirements. All photographs and drawings on this brochure are for illustrative purposes only and are not intended for, nor should they be used as a substitute for the instructions packaged with the unit. Appearance and specifications of the product are subject to change without notice. 6/06

# MONESSEN

## PRODUCT SPECIFICATIONS PENINSULA (624DVPF) DESIGNER DIRECT VENT



### 624DVPF

#### GLASS VIEWING AREA

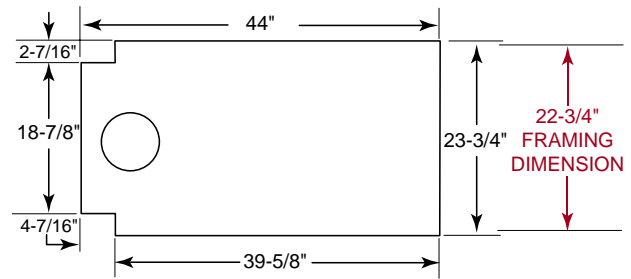
Front Opening Width - 32-1/4"  
Front Opening Height - 19-1/2"

#### TECHNICAL INFORMATION

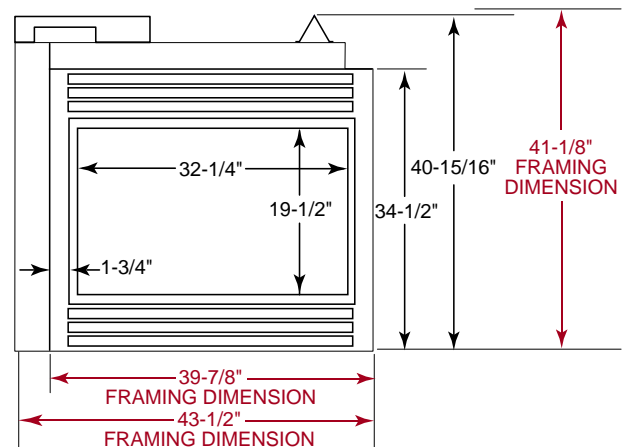
Max. Btu Input - 36,000 BTU/HR  
Ignition System - Standing Pilot or Electronic  
Control - Millivolt  
Gas Type - Natural or LP  
Flue Type - Simpson Dura-Vent 4" x 6-5/8"  
Direct Vent  
Termination - Rear/Top Vent Convertible  
Clearance on Flue for Interior - 3" Top 1" Bottom  
and Sides  
Clearance on Flue for Outside Wall - 1"  
Clearance on Fireplace - 1/2"  
CSA Design Certified

#### FIELD INSTALLED ACCESSORIES

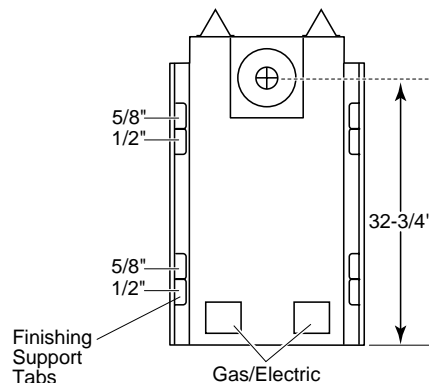
Variable Thermostat Controlled Forced Air Blower  
(160 cfm) - BLOT  
Louvers - Polished Brass, Pewter  
Remote Controls & Thermostats  
Wood Cabinet Surrounds



TOP VIEW



FRONT VIEW



SIDE VIEW

Framing dimensions in illustrations  
accommodate 1/2" finishing material.

To avoid personal injury or property damage, the product described by this brochure must be installed, operated and maintained in strict compliance with the instructions packaged with the product and all applicable building or fire codes. Contact local building or fire officials about restrictions and installation inspection requirements. All photographs and drawings on this brochure are for illustrative purposes only and are not intended for, nor should they be used as a substitute for the instructions packaged with the unit. Appearance and specifications of the product are subject to change without notice. 6/06

# MONESSEN

## PRODUCT SPECIFICATIONS LEFT AND RIGHT (624DVCL/ AND 624DVCR) DESIGNER DIRECT VENT



### 624DVCL

#### GLASS VIEWING AREA

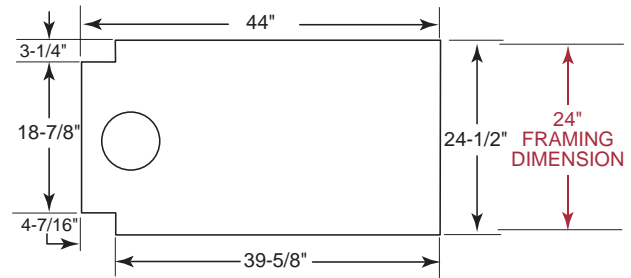
Front Opening Width - 32-1/4"  
Front Opening Height - 19-1/2"

#### TECHNICAL INFORMATION

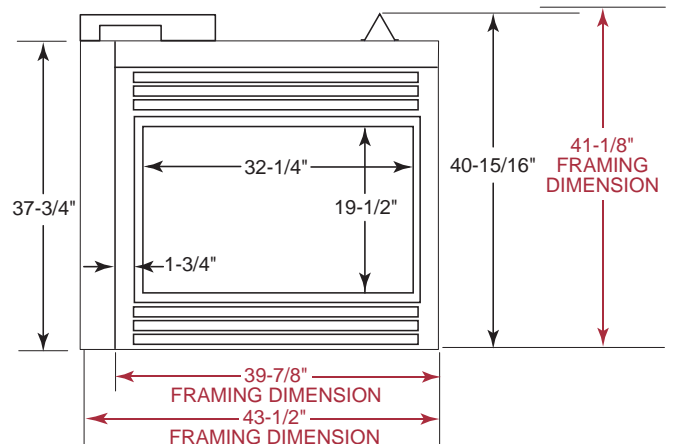
Max. Btu Input - 36,000 BTU/HR  
Ignition System - Standing Pilot or Electronic  
Control - Millivolt  
Gas Type - Natural or LP  
Flue Type - Simpson Dura-Vent 4" x 6-5/8"  
Direct Vent  
Termination - Rear/Top Vent Convertible  
Clearance on Flue for Interior - 3" Top 1" Bottom  
and Sides  
Clearance on Flue for Outside Wall - 1"  
Clearance on Fireplace - 1/2"  
CSA Design Certified

#### FIELD INSTALLED ACCESSORIES

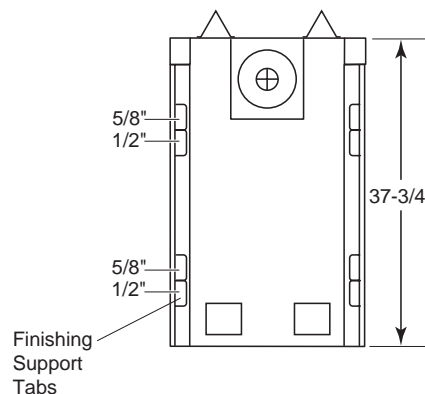
Variable Thermostat Controlled Forced Air Blower  
(160 cfm) - BLOT  
Louvers - Polished Brass, Pewter  
Remote Controls & Thermostats  
Wood Cabinet Surrounds



TOP VIEW



FRONT VIEW



SIDE VIEW

Framing dimensions in illustrations  
accommodate 1/2" finishing material.

To avoid personal injury or property damage, the product described by this brochure must be installed, operated and maintained in strict compliance with the instructions packaged with the product and all applicable building or fire codes. Contact local building or fire officials about restrictions and installation inspection requirements. All photographs and drawings on this brochure are for illustrative purposes only and are not intended for, nor should they be used as a substitute for the instructions packaged with the unit. Appearance and specifications of the product are subject to change without notice. 6/06