

Indoor/Outdoor Wood Burning Fireplaces



COME IN FROM THE COLD.



Stylish Beauty, Unmatched
Quality, Outdoor Versatility
Available in 36" and 42" Fireplaces

VANGUARD
HEATING PRODUCTS

Stunning Looks, Outstanding Performance

America is moving outdoors. And Vanguard's new Outdoor Wood Burning fireplace is the perfect complement to any modern outdoor room. They play a key role in Vanguard's exciting Performance Series, which offers consistent looks, sizing and construction across the entire product line... plus beautiful new features homeowners will love!

Homeowner Highlights

- **Eye-dazzling beauty and durability** - Vanguard's Outdoor Performance Fireplace features clean, single piece brushed stainless steel faces, stainless mesh spark screens and even a solid stainless steel log grate. The screens tuck out of sight behind hidden side pockets to maximize the beauty of the fireplace.
- **Efficient and versatility** - The Outdoor Performance vents using our 8" double wall snap lock pipe for flexible, space saving installation. And they're approved for indoor as well as outdoor installations.
- **"Gas log ready" feature** - Allows homeowners to add gas log sets with all gas connections and controls protected and hidden out of sight. You see only the beautiful flame, premium gas logs and ember bed.



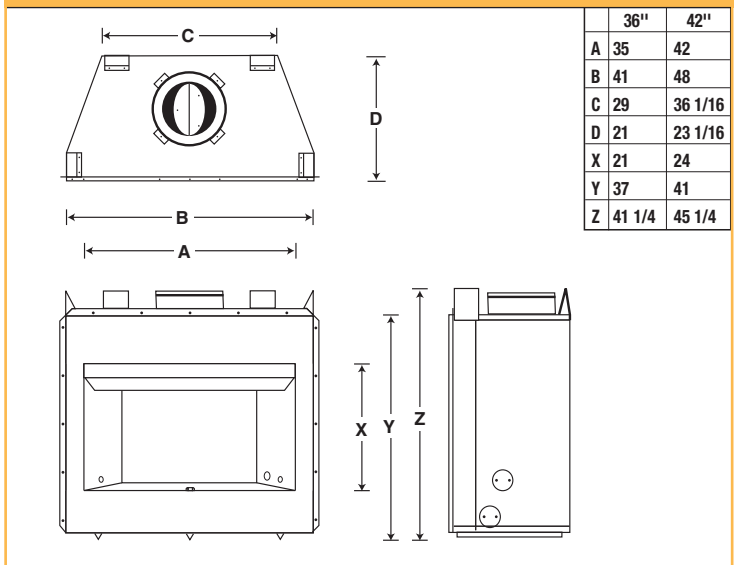
Vanguard's Performance Line Wood Burning Fireplaces (VS42R and VS36) Include "stacked" style, natural white brick.

PERFORMANCE LINE (Uses 8" Venting System)		
MODEL NO	DESCRIPTION	SHIPPING WT.
VS36	36" Outdoor Wood Burning Fireplace with Natural White Brick Liner	184.0 lbs.
VS36H	36" Outdoor Wood Burning Fireplace with Natural White Herringbone Brick Liner	184.0 lbs.
VS42	42" Outdoor Wood Burning Fireplace with Natural White Brick Liner	224.0 lbs.
VS42H	42" Outdoor Wood Burning Fireplace with Natural White Herringbone Brick Liner	224.0 lbs.

ACCESSORY OFFERING SUMMARY

- Extruded Aluminum Bi-fold Glass Doors (Black, Brass and Platinum)
- Extruded Aluminum Perimeter Trim Kits (Black, Brass and Platinum)
- Outside Combustion Air Kits (For Indoor Applications)
- Gas Log Kits and Accessories
- Corrosion Resistant Water Drainage Pans

DIMENSIONS



www.VanguardHeat.com
Bowling Green, KY 42101 (866) 672-6040



IMPORTANT

Installation must be done by qualified service persons. For warranty information please consult the owner's manual.
Read Owner's Manual before using.
Check local codes and ordinances for permitted uses.
We reserve the right to amend product specifications without notice.