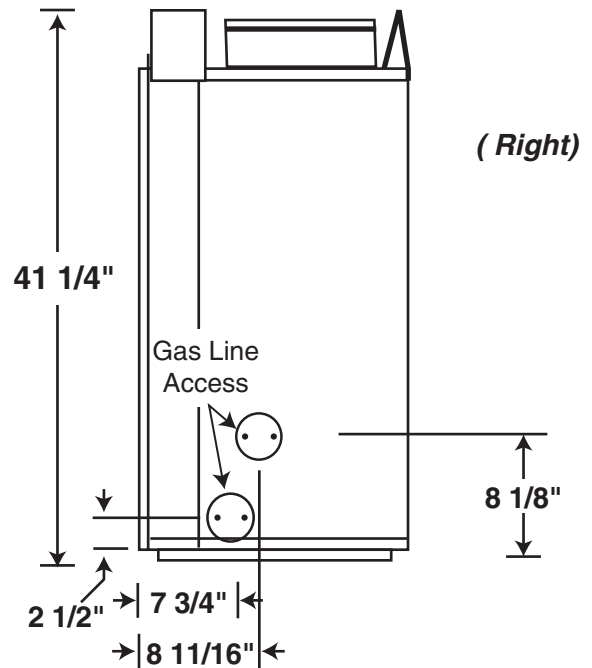
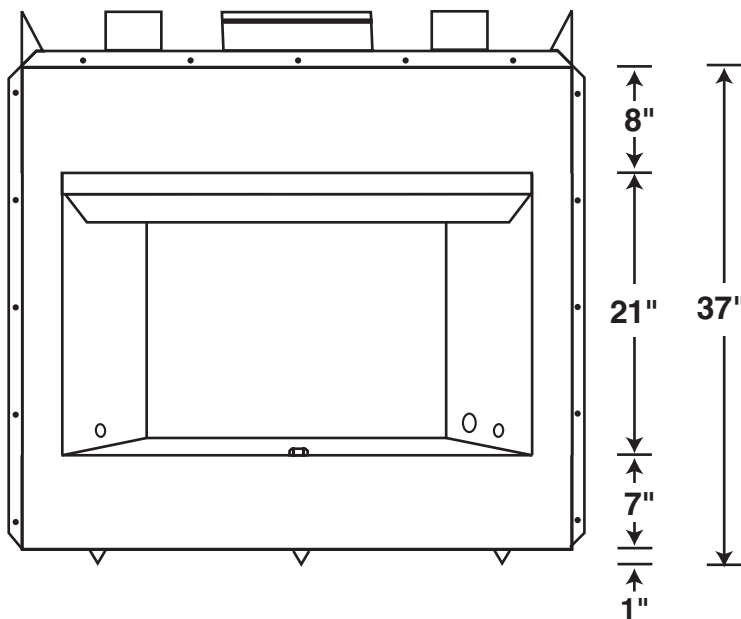
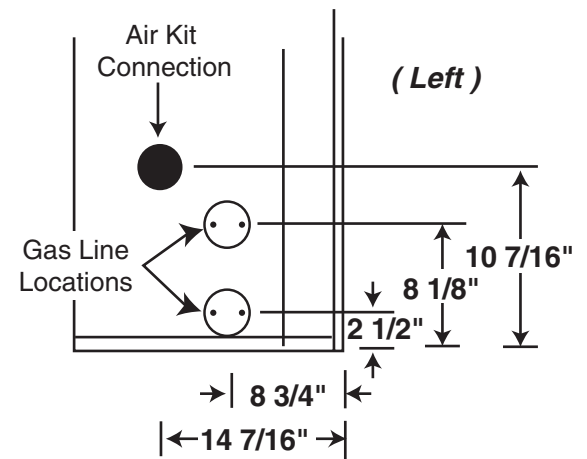
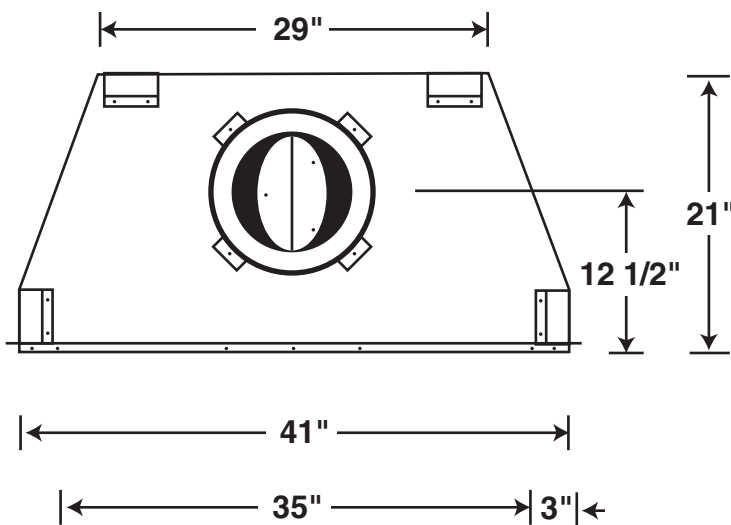


# Performance Line

## 36" Outdoor Woodburning Fireplace

Indoors Outdoors

Vent Pipe Size	8"	8"
Min. Pipe Clearance	1"	1"
Min. System Height	14' 6"	8'
- w/ Single Offset	14' 6"	8'
- w/ Two Offsets	22' 0"	8'
Max. Dist. Between Elbows	6' 0"	N/A
Max. System Height	50' 0"	N/A

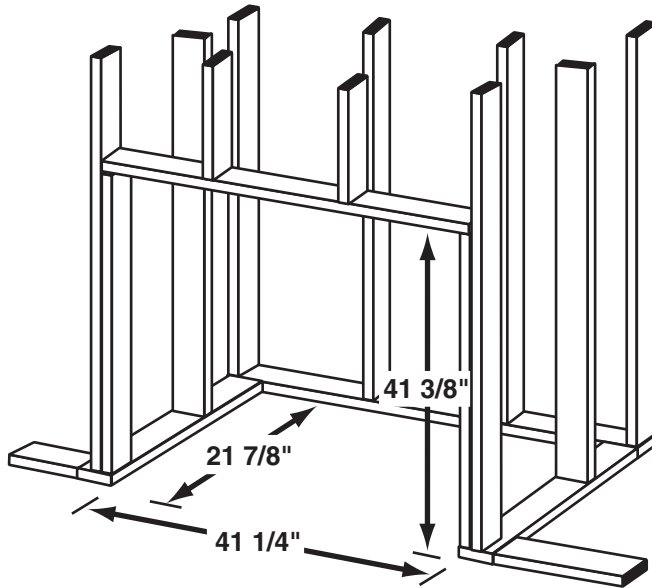


**VANGUARD**®

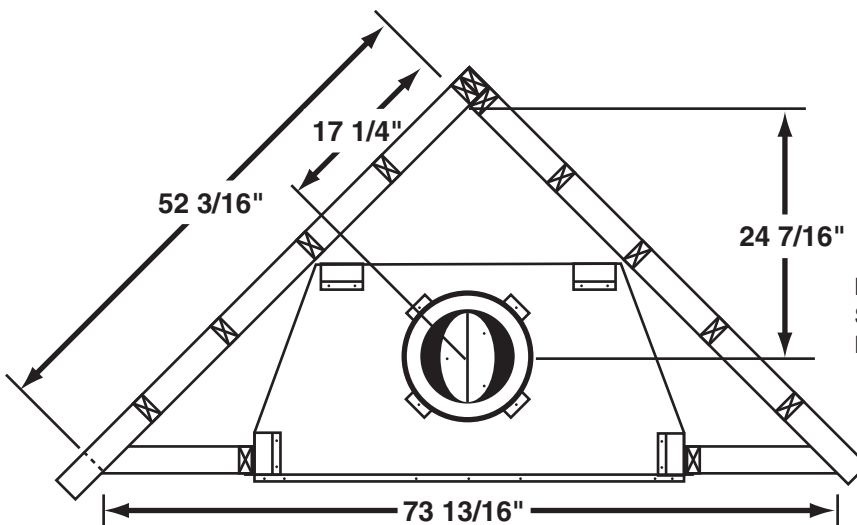
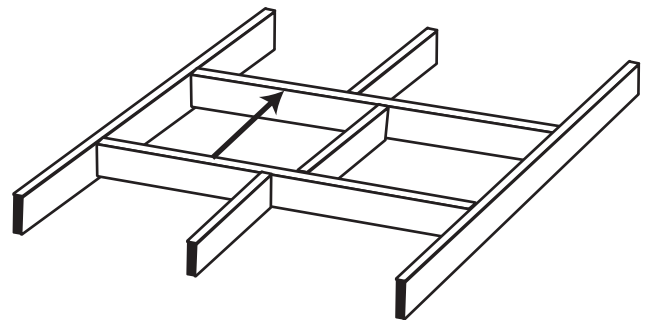
# Performance Line

36" Outdoor Woodburning Fireplace

## Framing Dimensions



Ceiling / Roof Opening		w/ 30° Offset
Pitch	Opening	
Flat	15"	17"
0 -6/12	16 1/8"	N/A
6/12 - 12/12	20 3/8"	N/A



Maintain 3/4" Clearance at Sides and Back of Fireplace  
Not Required at Nailing Flange

**NOTE:**

A Hearth Extension Projecting a Minimum of 16" in Front of, and 8" Beyond Each Side of the Fireplace Opening is Required to Protect Combustible Floor Construction in Front Of the Fireplace. See Installation Instructions for Complete Information

**NOTE:**

Built-in Features Such as Mantels, Bookshelves, etc. Made of Combustible Materials Must Maintain Minimum Clearances from the Fireplace. See Installation Instructions for Complete Information